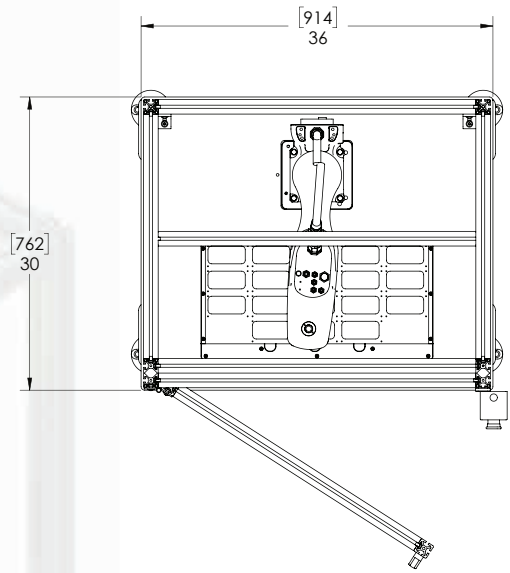


Adaptive's Industrial Automation Platforms are pre-configured industrial manufacturing cells and equipment available for customization. These platforms are a fraction of the price of a custom automation solution, and available in less than half the time. These engineered and proven platforms reduce workload project risk, allowing your team to achieve more, faster.

The IAP-Micro is a pre-configured single robot cell with near limitless applications. The base system includes a welded steel tube base frame with steel tabletop, a fanuc 4-axis SCARA robot and pedestal, electrical enclosure, PLC control system with color touchscreen HMI, and complete safety system. Engineered and designed for continuous operation, this extremely robust platform can be tailored to accommodate many manufacturing operations, including assembly, inspection, test, label, package, and many more.

All product tooling (fixtures, robot end of arm tools, part feeders, etc.) and any additional station equipment is the responsibility of the end user. All software development and testing (PLC, robot, HMI, etc) programming is the responsibility of the end user.

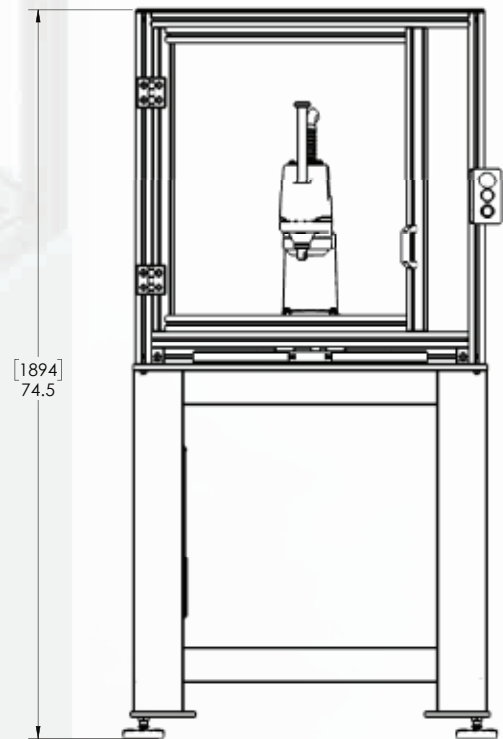


### Base Machine Features:

- Welded steel tube base frame and steel tabletop
- One Fanuc SR3iA SCARA robot on mounting pedestal
- Electrical enclosure with PLC, 24V Power Supply, and Safety PLC
- Full safety system (enclosure, safety, PLC, dump valve, E-stop button)
- 3-Light stack indicator
- Web browser programming interface
- Pneumatic air prep & valve bank

### Available Options & Add-ons

- Change robot model from SCARA to 6-axis
- Fanuc IR 2D Vision Guidance System
- Robot Teach Pendant
- Robot Touch Tooling (EOAT)
- Machine Vision & Lighting
- Part Feeding & Escapement
- Conveyance into/out of cell
- Operator Push Button Controls
- Ignition SCADA Software
- Remote Access Module
- Work Fixtures & Nests
- Programming Support (robot, vision, PLC, HMI)



	Base Unit Specifications	Inline Conveyor Option	
Cycle time starting at	600ms	1500ms (with index)	per scara process
Machine Footprint	36" x 30"	60" x 30"	60" x 30"
Machine Height	75"	75"	75"
Machine Weight	700 lbs	850 lbs	850 lbs
Max Product Footprint	23" x 10"	4" x 6"	*larger sizes available
Max Product Height	8"	6"	*larger sizes available
Max EOAT Weight	6.6 lbs	6.6 lbs	*including tooling and product weight
Max Conveyor Tooling Weight:	N/A	12 lbs	*including tooling and product weight
Voltage	230V 1PH	480V 3PH	