

Automated standalone 2-axis pneumatic pick and place unit. Used in gaurded or unguarded applications or for tasks within an operator area. Minimized pinch points, adjustable force and speed based on application requirements.

### Base Machine Features:

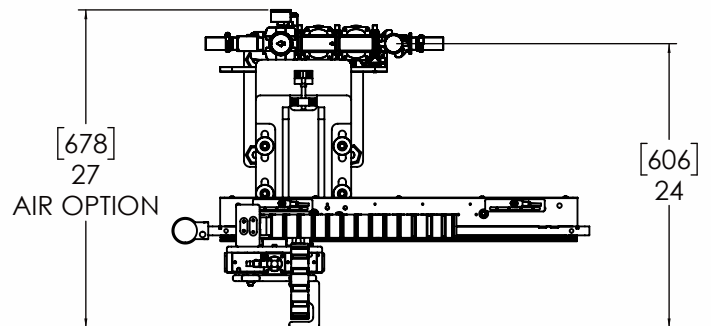
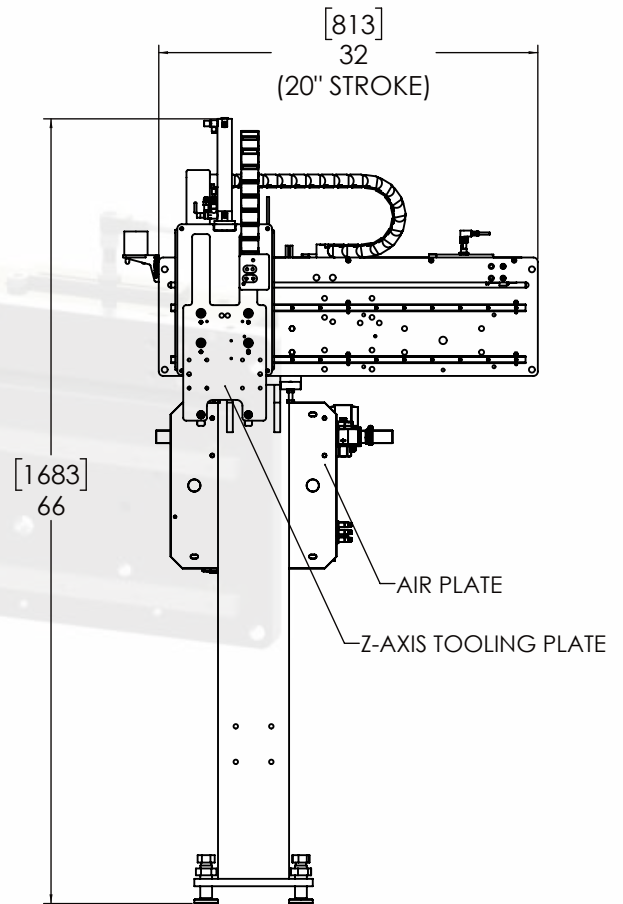
- X and Y selectable stroke axis
- Welded steel stand
- Z-axis tooling interface plate with poka-yoke tooling features.
- Speed adjustable axis travel
- Magnetic coupled X-axis breakaway

### Standard Machine Add-ons:

- End of travel sensors installed
- E-stop safety, lock out valve and dump valve
- Electric package including enclosure, pushbuttons and PLC, 24V PNP
- Pneumatic air prep and valve bank options
- Operator indicator light

### Product Specific Add-ons:

- Risk assessment
- Tooling and product specific ISO 15066 analysis
- Product based touch tooling
- Right angle or buffer conveyor transfer
- Custom cell programming



|                          | Base Unit Specifications | Notes  |
|--------------------------|--------------------------|--|
| Unit Footprint           | 36" x 24"                | *no tooling or product included              |
| Unit Height              | 66"                      | *At 36" pick height                          |
| Max pick height          | 48"                      | in Z   |
| PNP unit weight          | 300 lbs                  | *no tooling or product included              |
| z-stroke                 | 1" to 4"                 |  |
| Max speed in Z           | 6 in/s                   |  |
| x-stroke                 | 8" to 36"                | nominal 20"                                  |
| Max speed in X           | 5 in/s                   |  |
| Cycle Time               | 20s                      | *estimated for 20" storke, tooling dependent |
| Max attachment weight    | 30 lbs                   | *includes product weight                     |
| Max Attachment footprint | 20" x 16" x 12"          |  |
| Air                      |                          |  |
| Voltage                  | 24V, 120V                | *option dependent                            |