

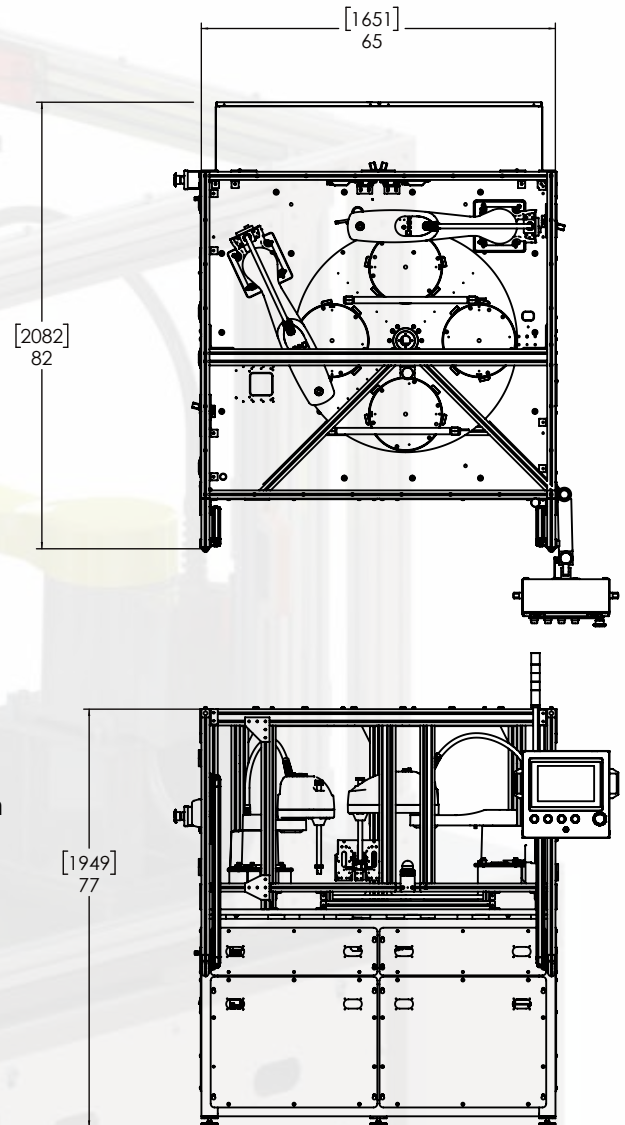
Turnkey robotic cell for assembly, sortation or inspection processes. Automated indexing cell with up to 4 stations (options available), integrated HMI or push buttons control. Custom part fixing and end of arm tooling available. Automate multistep part inspection, assembly or sortation and implement both pre and post-inspection processes. Highly flexible part testing and qualification utilizing robot mounted vision, torque and force transducers, height sensing and many other custom inspection parameters.

Base Machine Features:

- 4 station indexing dial table with poka yoke dial tooling mount features
- Welded steel base
- Full aluminum and polycarbonate safety enclosure, E-stop and Pld/Plc level safety
- Station 1 Pre-inspection: Standard options for part stamping or cooling station. Additional options part marking, assembly processes.
- Station 2 Inspection: Scara with mounting plate for vision inspection system. Additional options available
- Station 3 Post-inspection: Scara sortation or reject station. Additional options available
- Station 4 Load/Unload: Operator load/unload station. Options to tie directly into upstream or downstream automated processes
- Up to three 4-axis Scara Robots and controller
- Operator light curtain access buttons for cell control
- Web browser programming interface

Standard Machine Add-ons:

- Electric package including enclosure, PLC, 24V sensor compatibility
- Pneumatic air prep and valve bank
- Cell statistics and inspection data SCADA tie in
- Remote access and data collection
- Larger payload scara or 6-axis robot option
- Robot teach pendant



Product Specific Add-ons:

- Dial table part tooling and fixtures
- Machine vision system and lighting
- Product based touch tooling
- Vibratory or flex part feeding
- Custom cell programming
- Multiple part recipes

	Base Unit Specifications	Notes
Cycle time starting at	3 seconds	
Machine Footprint	271" x 152"	includes enclosure
Machine Height	8 ft	includes safety frame at 36" infeed height
Machine Weight	Based on case former selection	
Infeed conveyor height	30" - 36"	
Max Product Size	17.5" x 22" x 3"	
Max Product + EOAT Weight	25 lbs	
Voltage	480V, 60Hz 3PH	
Air	80-100 psi	